

READ AND FOLLOW ALL SAFETY INSTRUCTIONS! SAVE THESE INSTRUCTIONS AND DELIVER TO OWNER AFTER INSTALLATION.

⚠ WARNING: RISK OF ELECTRIC SHOCK

- Before installation or servicing **DISCONNECT POWER BY TURNING OFF THE CIRCUIT breakers both to the outlet box and to its associated wall switch.**
- Installation and service of luminaires should be performed by a qualified licensed electrician in accordance with all local and National Electrical Codes.
- Do not install damaged product
- Verify that supply voltage is correct by comparing it with the luminaire label information.
- All wiring connections should be capped with UL approved recognized wire connectors.

⚠ WARNING: RISK OF INJURY

- Allow luminaire to cool before servicing.
- Follow all manufacturer's warning and restrictions for driver type, mounting locations, replacement and recycling.
- Wear safety glasses and gloves when installing, maintaining or servicing.
- Avoid direct eye exposure to the light source while it is on.

⚠ WARNING: RISK OF FIRE

- Do not separate any other wires that may be in the box.
- Do not damage the insulation of older wiring.
- In regular circumstances the **BLACK** wire will be the "Hot" lead and the **WHITE** wire will be the "Neutral" or "Common" lead. A **GREEN** or **BARE COPPER** wire is "Ground". In older buildings, it is always good practice to reconfirm the polarity of the wiring.

⚠ RISK OF PRODUCT DAMAGE

- Never connect components under load.
- Do not touch the yellow surface of the LED as it may damage the light engine.

◆ TOOLS REQUIRED



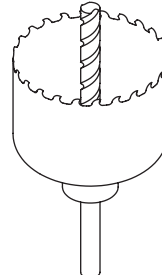
Screw Driver
Flat Head



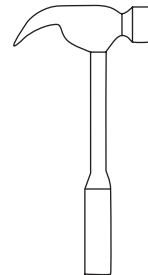
Screw Driver
#1 Philips



Screw Driver
#2 Philips



Hole Saw
(Or Speed Router)

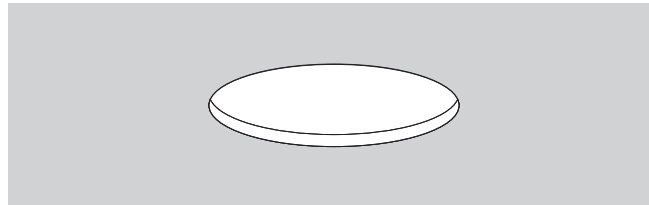


Claw Hammer

PREPARATION

◆ PREPARATION | Measure Before You Cut

Consult the ceiling cutout table below to determine your application ceiling cutout requirements.

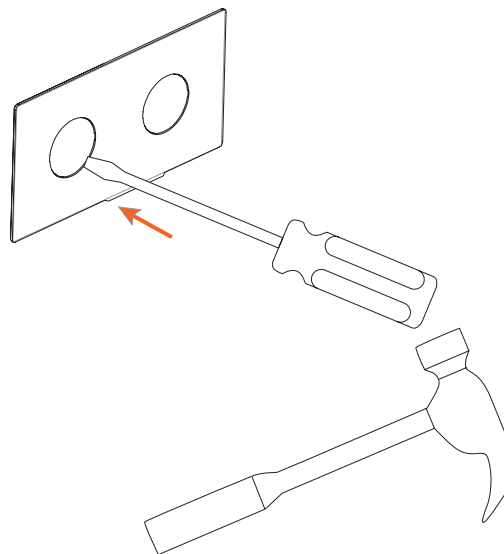


Flanged Trim
Ceiling Cutout Table

Model	1 IN	3 IN	5 IN
Cutout Size	Ø 2 ³ / ₁₆ " (Ø 55.6 mm)	Ø 3 ³ / ₄ " (Ø 95.3 mm)	Ø 5" (Ø 127 mm)

◆ PREPARATION | Remove Knock-Out

Remove knock-out(s) where needed with a flat-head screwdriver and hammer.

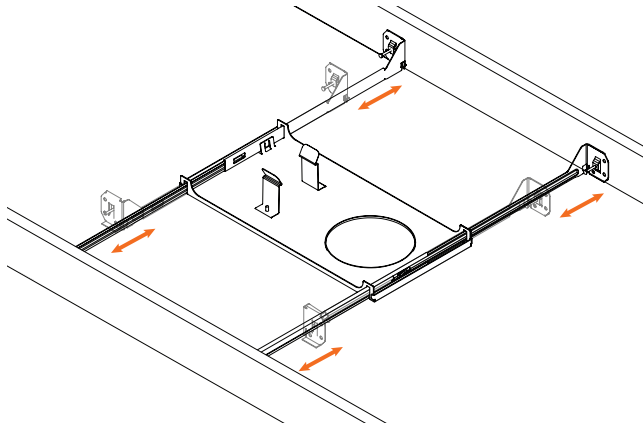


INSTALLATION

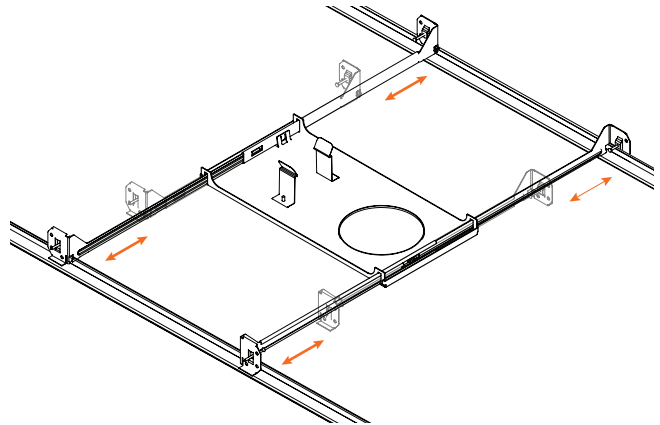
◆ STEP 1 | Hanger Bars Adjustment

NIC/NC MODELS ONLY, SKIP TO STEP 5 FOR RIC/RM MODELS

Adjust the hanger bars to fit between joists (For suspended ceiling, remove the required tile).



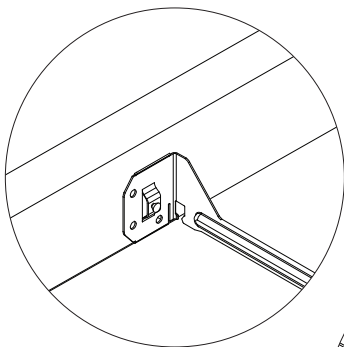
Joist Application
NIC Model



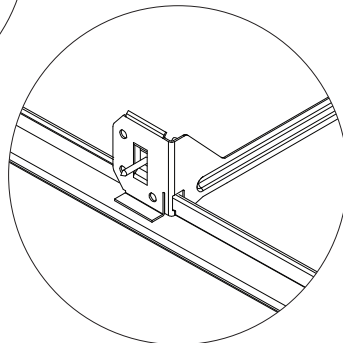
T-Bar Application
NIC/NC Model

◆ STEP 2 | Secure Hanger Bars

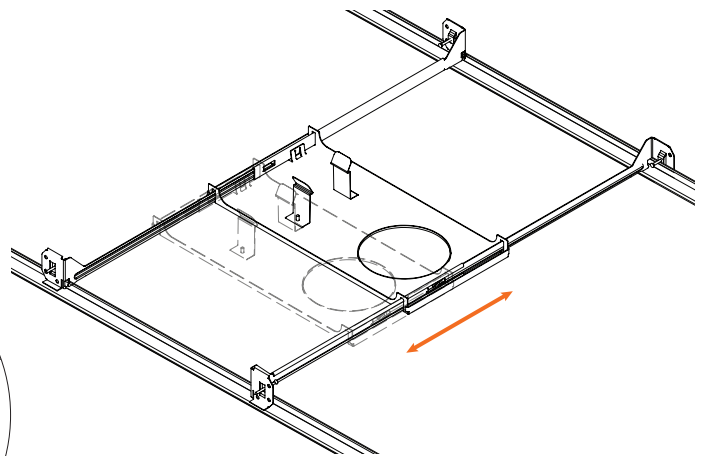
- For wood joists, Line up the bottom of the hanger bars to the bottom of the joists and nail the ends of the hanger bars to the joists.
- For suspended ceiling (T-Bar), Snap in place the hanger bars on the suspended ceiling T-Bar.



Wood



T-Bar

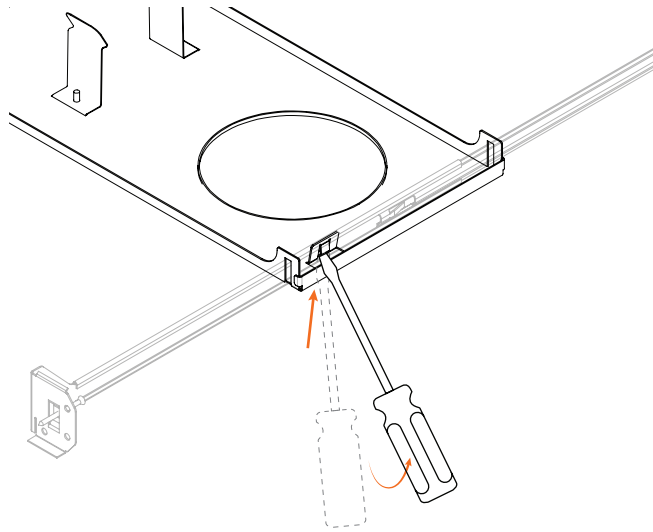


NIC/NC Model

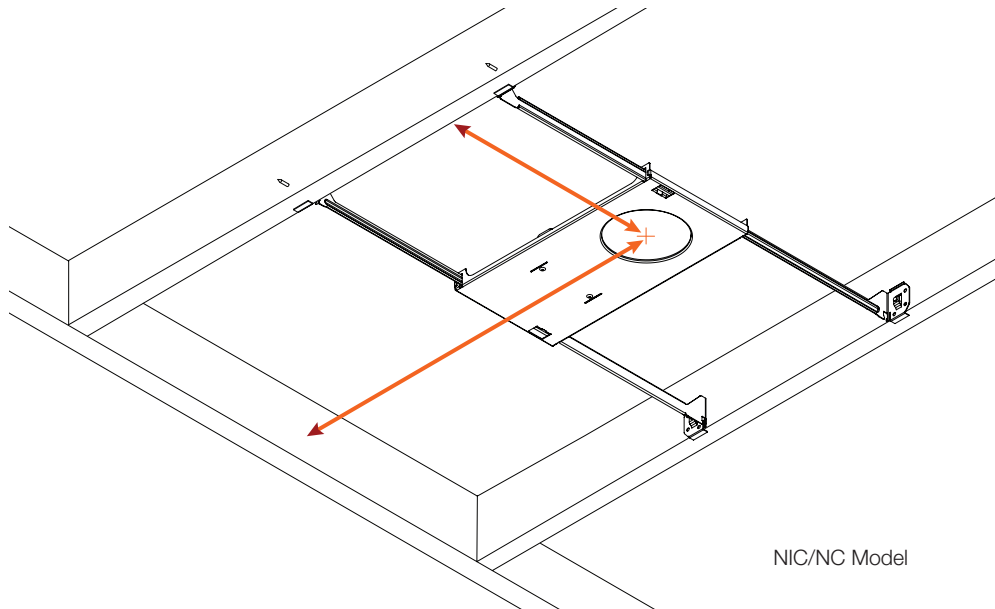
INSTALLATION

◆ **STEP 3 | Secure System**

Slide the bottom plate to the desired position and use a flat head screwdriver to tilt the locking tabs into the hanger bars until system is secure.

◆ **STEP 4 | Position Measurement**

Measure and mark the location of the pan hole from wood joists/T-Bars.



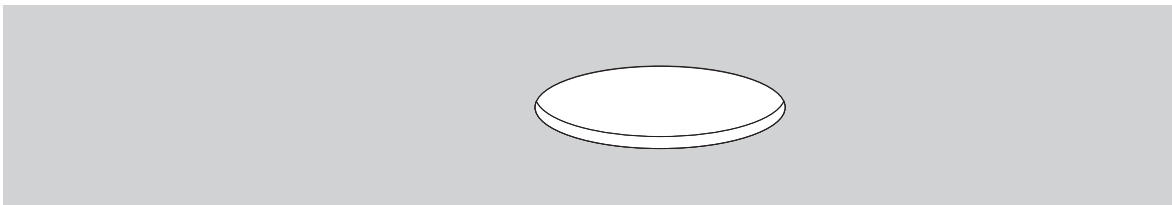
NIC/NC Model

INSTALLATION

◆ STEP 5 | Ceiling Cutout + Installation

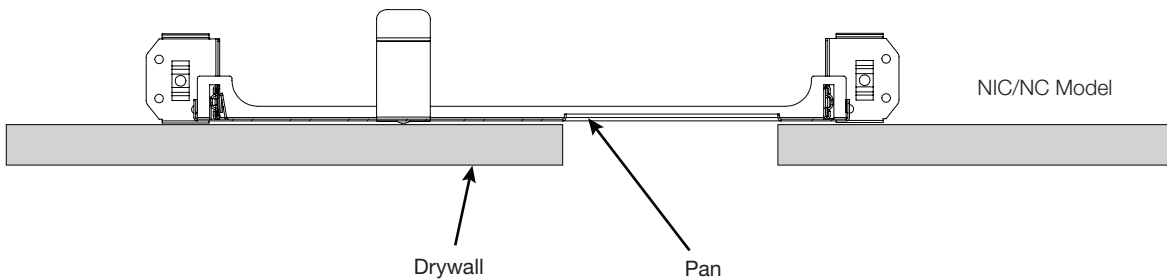
AFTER CEILING OR TILE INSTALLATION

- Consult the appropriate "Ceiling Cutout Table" below before cutting the ceiling or tile is attached.
- Cut ceiling hole at the pre-measured location using a hole saw or speed router to the size indicated within the "Ceiling Cutout Table" below.

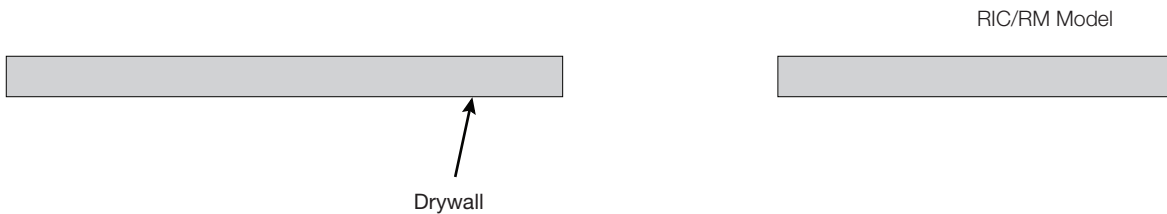


Flanged Trim
Ceiling Cutout Table

Model	1 IN	3 IN	5 IN
Cutout Size	Ø 2 ³ / ₁₆ " (Ø 55.6 mm)	Ø 3 ³ / ₄ " (Ø 95.3 mm)	Ø 5" (Ø 127 mm)



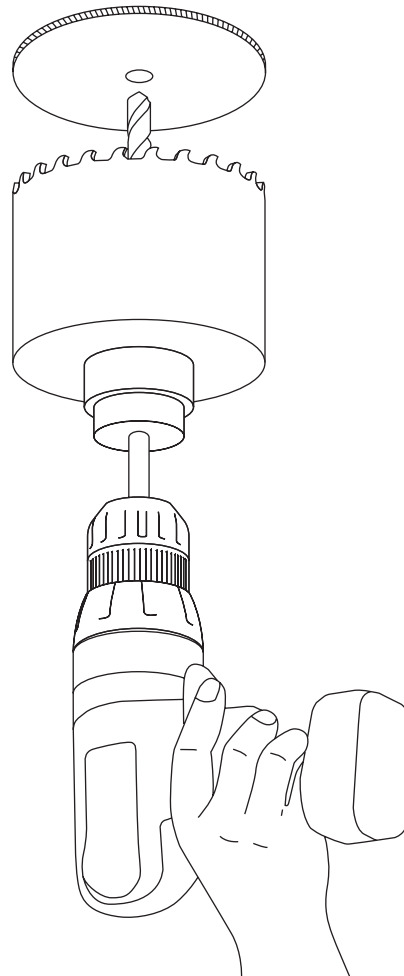
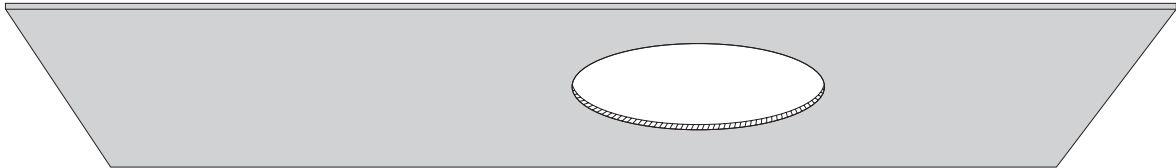
NIC/NC Model



RIC/RM Model

INSTALLATION

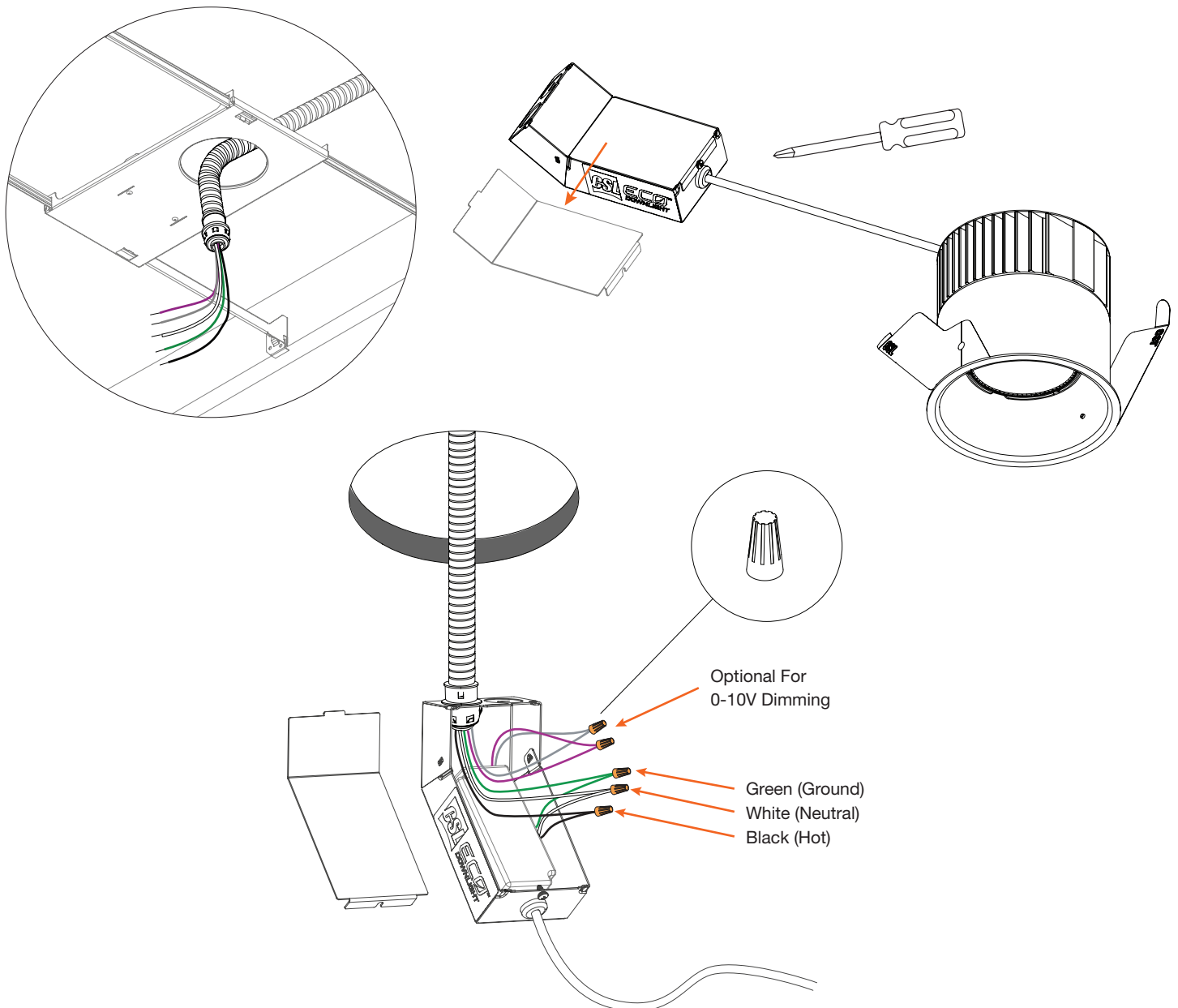
◆ **STEP 5** | Ceiling Cutout + Installation



INSTALLATION

◆ STEP 6 | Make Electrical Connection

- Using a #1 Phillips screwdriver, remove cover.
- Pull the pre-installed conduit and supply wires through the hole.
- If using secondary knock-out (N/A for 1"): Using a flathead screwdriver and hammer, punch-out secondary knock-out(s).
- Using a UL listed conduit connector secure connector to the knock-out plate, passing supply wires through connector.
- Connect supply wires using approved wire nuts to the luminaire using the wiring diagrams shown.
- Reattach cover.

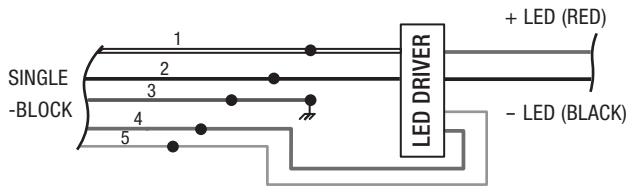


INSTALLATION

◆ STEP 6 | Wiring Diagrams

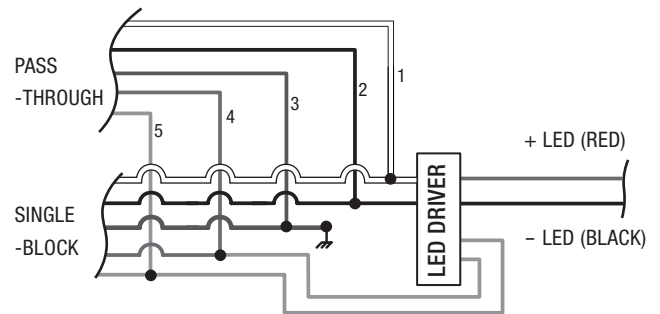
TRI-DIMMING

For Single-Block Connection



- 1/ NEUTRAL (WHITE)
- 2/ LINE (HOT) - (BLACK)
- 3/ GROUND (GREEN)
- 4/ + DIM (PURPLE)
- 5/ - DIM (GRAY)

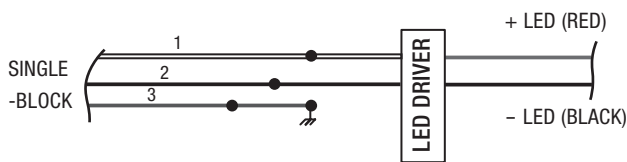
For Pass-Through Connection



- 1/ NEUTRAL (WHITE)
- 2/ LINE (HOT) - (BLACK)
- 3/ GROUND (GREEN)
- 4/ + DIM (PURPLE)
- 5/ - DIM (GRAY)

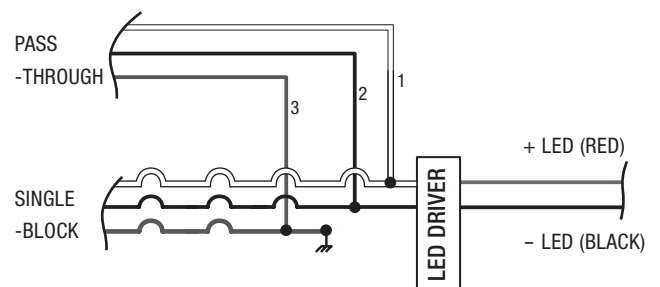
PHASE DIMMING ONLY

For Single-Block Connection



- 1/ NEUTRAL (WHITE)
- 2/ LINE (HOT) - (BLACK)
- 3/ GROUND (GREEN)

For Pass-Through Connection

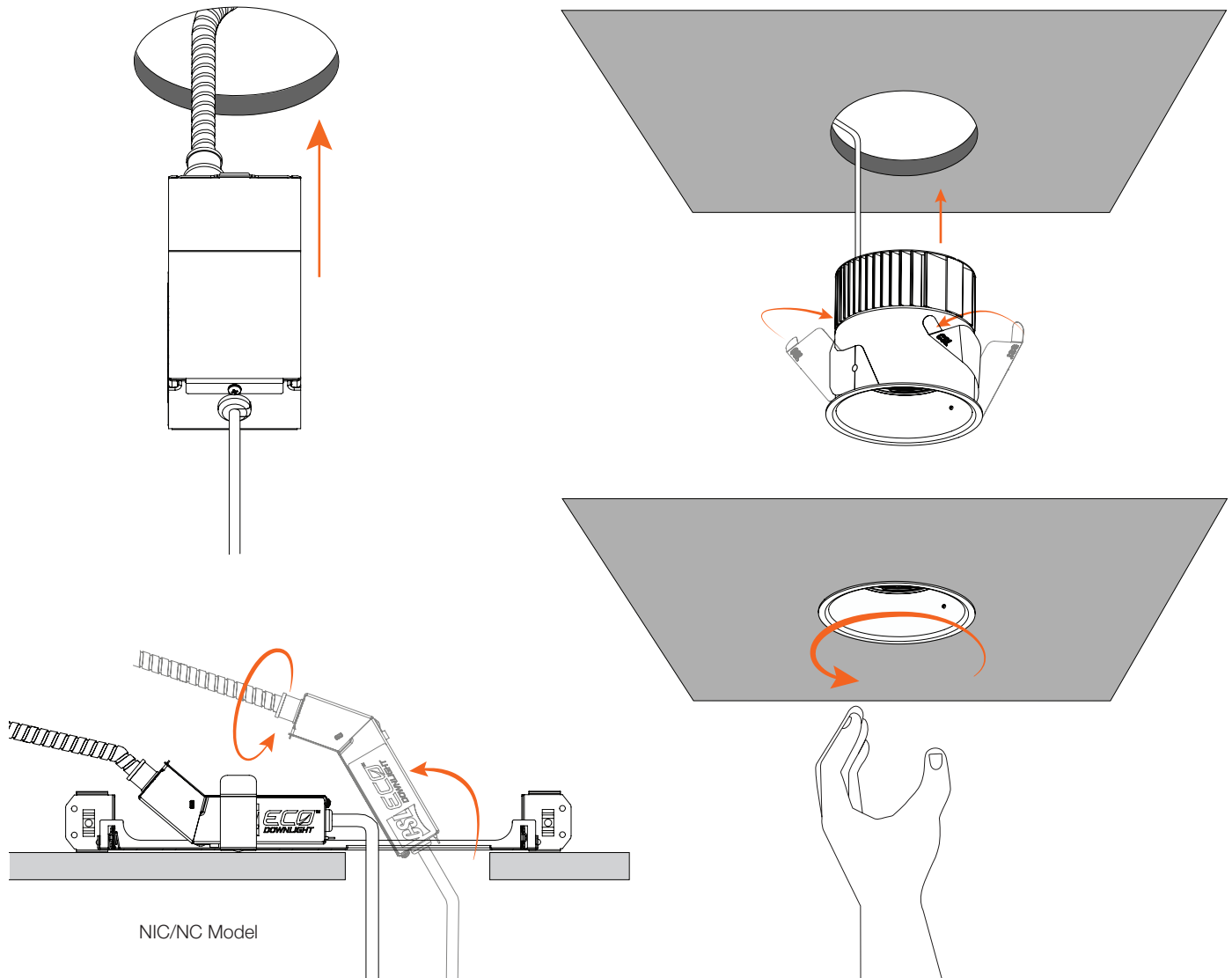


- 1/ NEUTRAL (WHITE)
- 2/ LINE (HOT) - (BLACK)
- 3/ GROUND (GREEN)

INSTALLATION

◆ STEP 7 | Install Fixture in Ceiling

- Push the power supply housing through the ceiling hole and secure it to the pan.
- Compress the spring clips against the luminaire body.
- Insert the unit into the ceiling hole until fully seated.
- Slightly turn clockwise to further lock the luminaire to the ceiling.
To remove luminaire, while pulling out the luminaire, rotate counterclockwise until the luminaire is fully removed.
- If painting the ceiling with luminaire installed, keep paint masking cover installed within luminaire body during painting and remove once paint has fully dried.



INSTALLATION

◆ STEP 8 (Optional) | SilentVu™ Optic and Media Installation or Replacement

Eco Downlight ships with 50deg optic installed. If ordered, alternate optics and media will be included with the shipment and will need to be installed.

Removing Installed Optic

FOR 1 INCH

- Remove Optic Holder, and using Optic Installation Tool, snap tool over Optic.
- Rotate counterclockwise and pull-out Optic from Luminaire.

FOR 3 INCH, 5 INCH

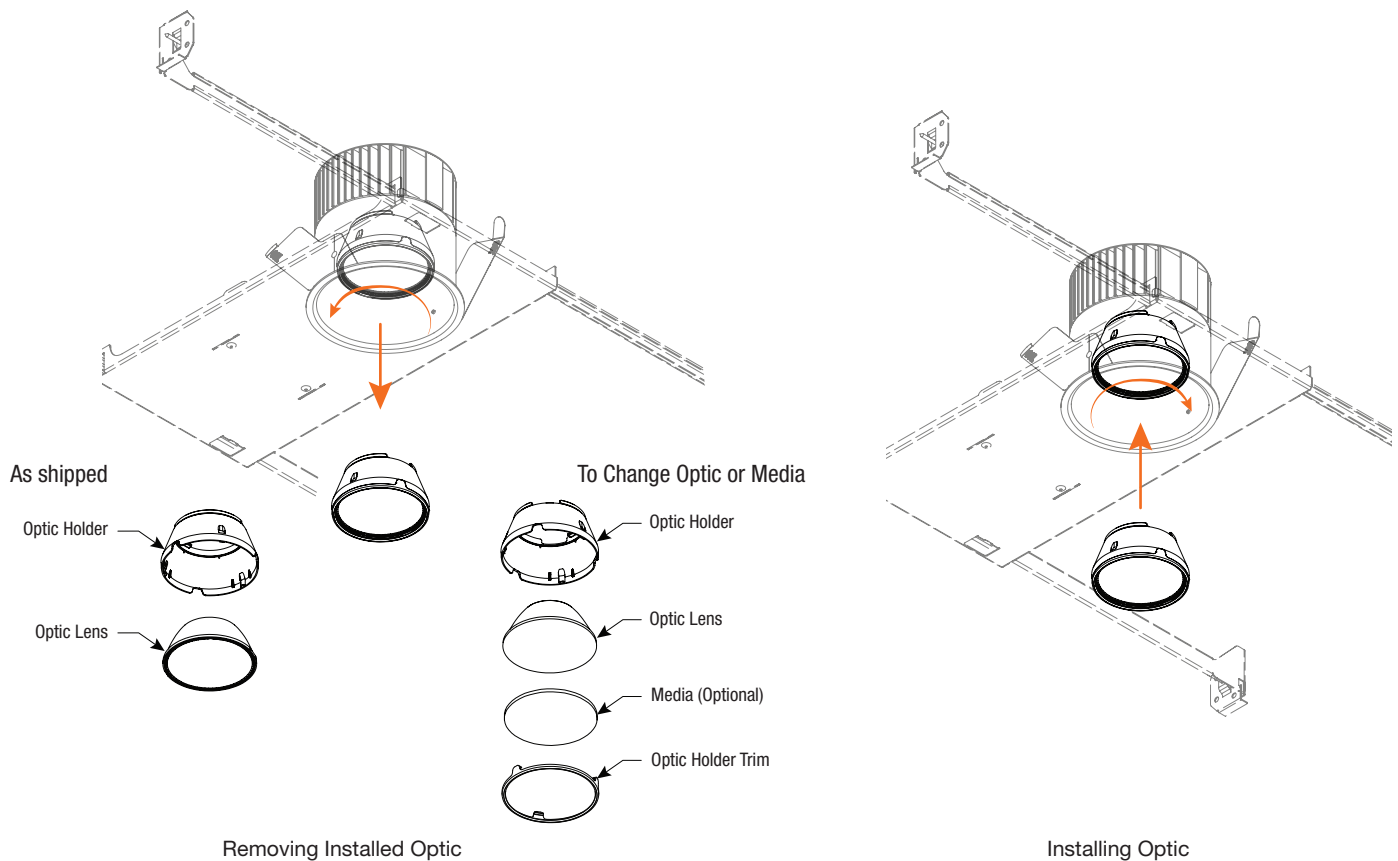
- With one hand, rotate the Optic counterclockwise and pull-out Optic from Luminaire.

Installing Optic

- Reattach Optic Holder if necessary.
- Aligning the tabs on the Optic to the slots on the Luminaire, push and rotate the Optic clockwise securing the Optic to the Luminaire.

Adding Media

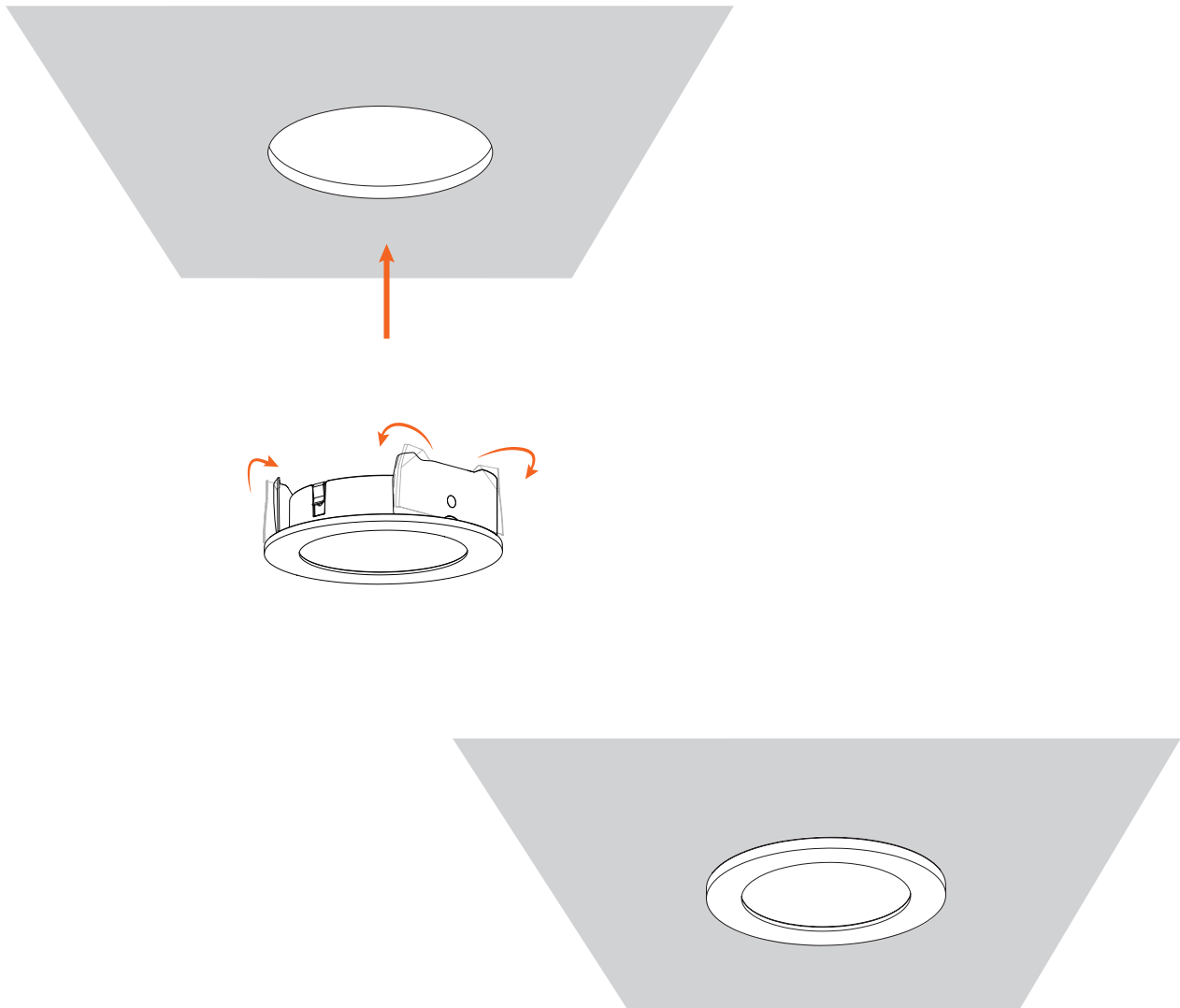
- Remove the Optic using the steps listed above.
- Place the desired Media within the Optic Holder Trim, then snap the Media Holder Trim to the Optic Holder.
- Holding the Optic Holder Trim re-attach Optic to luminaire.



INSTALLATION

◆ **STEP 9 | Trim Installation**

- Compress the Spring Clips against the Trim body.
- Push Trim within Luminaire body until it makes contact to the ceiling.





INSTALLATION GUIDE

ECO DOWNLIGHT 1", 3", 5" NIC/NC/RIC/RM MODELS

FIG-00036 ECO GEN-1, 1"3"5" INS-B, V-2.0, UPDATED 11/08/21

OTHERS

◆ RELATED INSTALLATION GUIDES

- ECO DOWNLIGHT 1", 3", 5" AIC/ANC/SIC MODELS